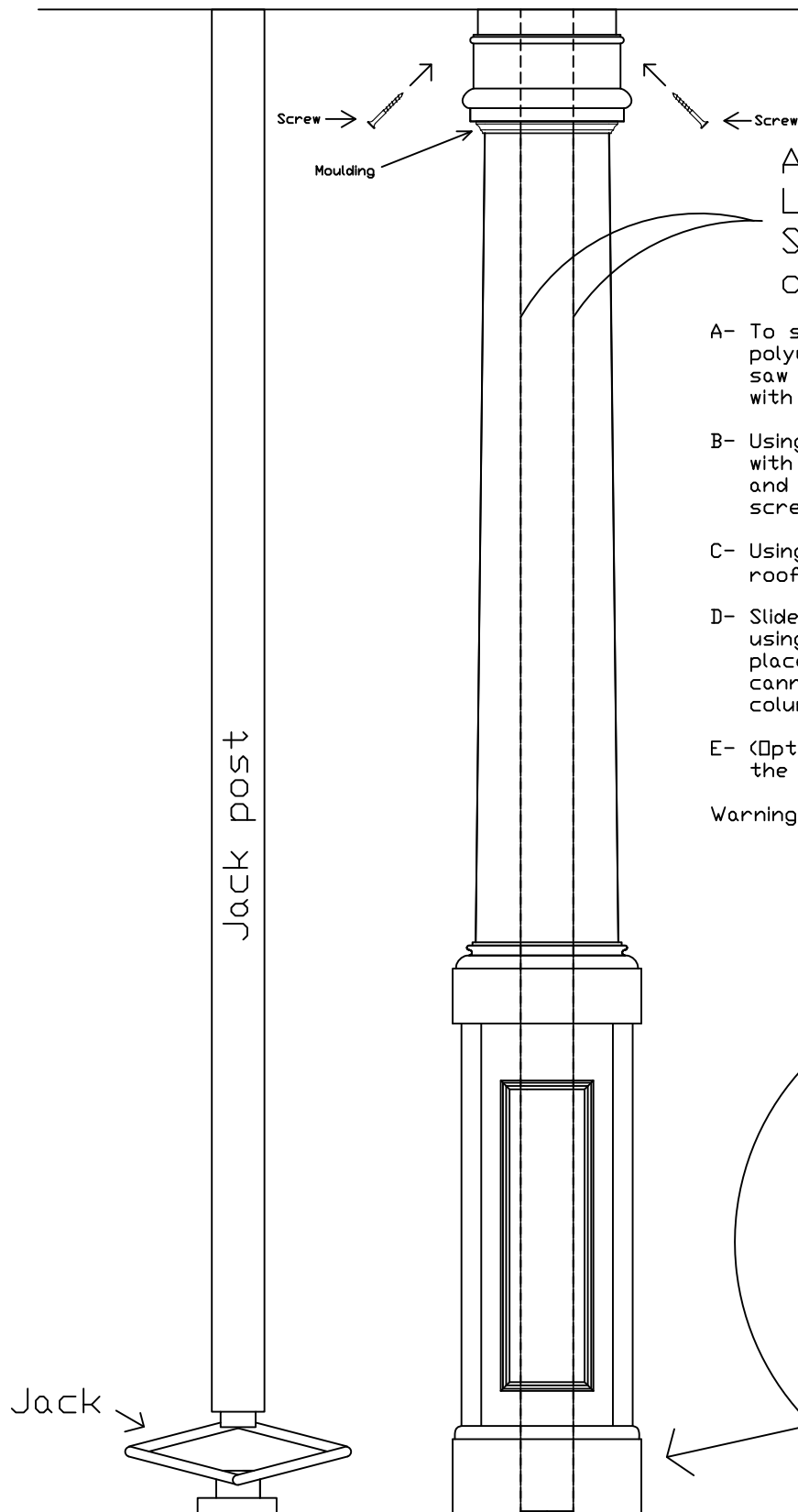


Installation Guide



Aluminium Pipe 3" D.
Load-bearing
Structural Capacity
of 5000 lbs.

- A- To shorten column, first cut the polyurethane outer section using a wood saw and then cut the aluminium pipe core with a metal saw.
- B- Using a plumb-line, set and fix the disk with polyurethane adhesive (PL PREMIUM) and galvanized screws or Tapecon type screws.
- C- Using a jack and jack-post, raise the roof $\frac{1}{4}$ " and slide column into place.
- D- Slide cap downward and fix column in place using galvanized fixations then fix cap in place with polyurethane adhesive. If you cannot slide the cap downward, fix the column with the cap already in place.
- E- (Option) Install decorative moulding under the cap to hide the gap.

Warning!!! When installing the column, always make sure that the roof weight-load is on the aluminium pipe ONLY as the polyurethane by itself has no load-bearing capacity. If you need to cut the column, cut the polyurethane $\frac{1}{4}$ " shorter than the aluminium pipe.

